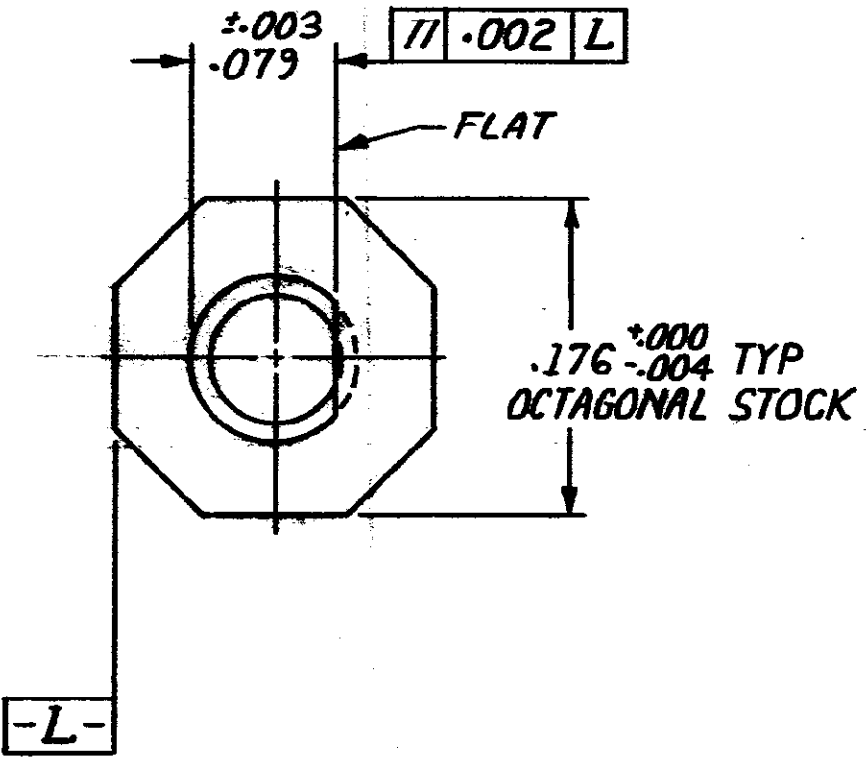
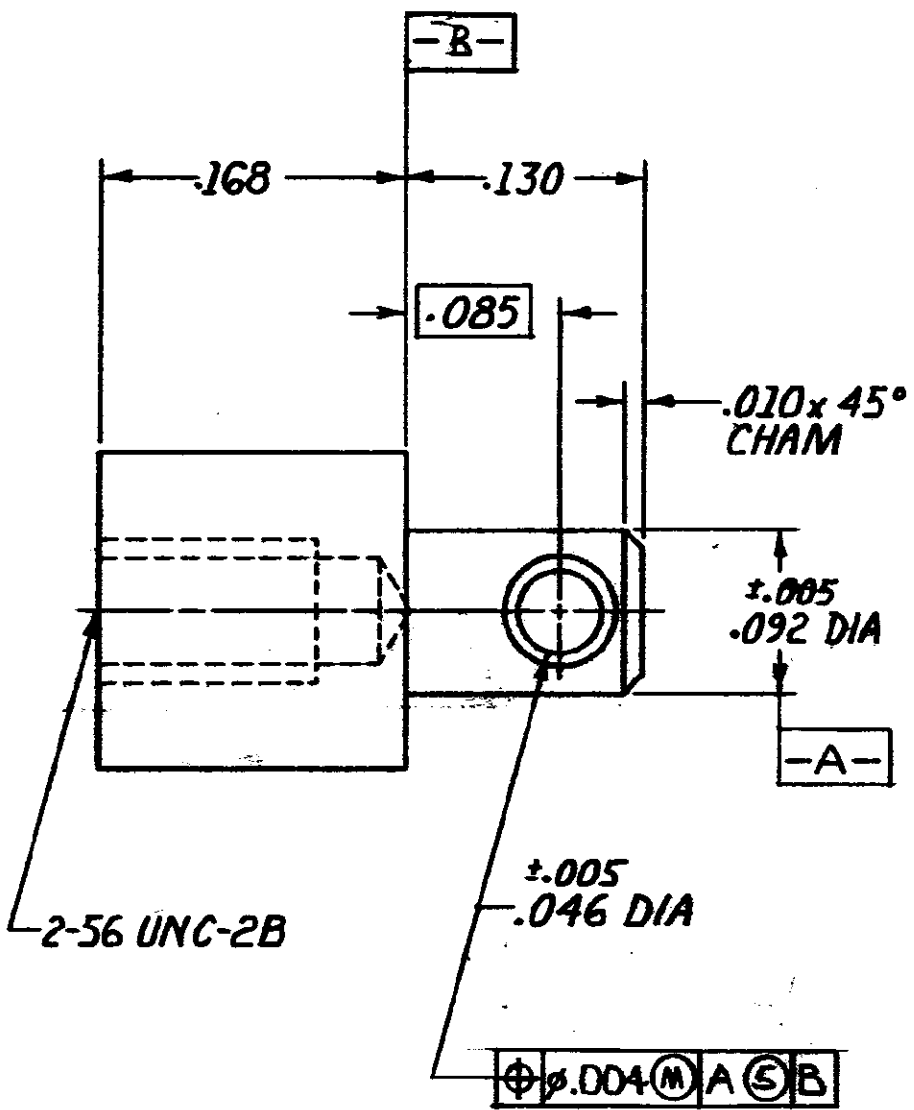


THIS DRAWING IS UNPUBLISHED. RELEASED FOR PUBLICATION, 19
 © COPYRIGHT 19 BY AMP INCORPORATED, HARRISBURG, PA. ALL INTERNATIONAL RIGHTS RESERVED. AMP PRODUCTS MAY BE COVERED BY U.S. AND FOREIGN PATENTS AND/OR PATENTS PENDING.

REVISIONS						
P	F	ZONE	LTR	DESCRIPTION	DATE	APPROVED
			Q	RELEASED		
			O	ADD -3: AB-1600	db 6-86	OP
			A	REV PER ECN DF-0280	MR 2-88	AP
			B	ADD-4 PER DF-2786, NPR 90-00W	1-90	TW 85H



△ COATED WITH DRY FILM LUBRICANT.

WITH FLAT	PASSIVATED	531959-4
WITHOUT FLAT	PLAIN	531959-3
WITH FLAT	PASSIVATED	531959-2
WITH FLAT	PLAIN	531959-1
REMARKS	FINISH	PART NO

UNLESS OTHERWISE SPECIFIED DIMENSIONS ARE IN INCHES. TOLERANCES ON: DECIMALS ±.010 ANGLES ±	CONTRACT NO	AMP AMP INCORPORATED Harrisburg, Pa.	
	DR <i>D. Bickler</i> 9-03-85	NAME	
	MATERIAL STAINLESS STEEL	JACKSCREW, MINI-BOX, FEMALE, TYPE III	
	FINISH SEE TABLE	DSGN APPD	SIZE B
	OTHER APPD	DRAWING NO 531959	SHEET
		SCALE 10:1	